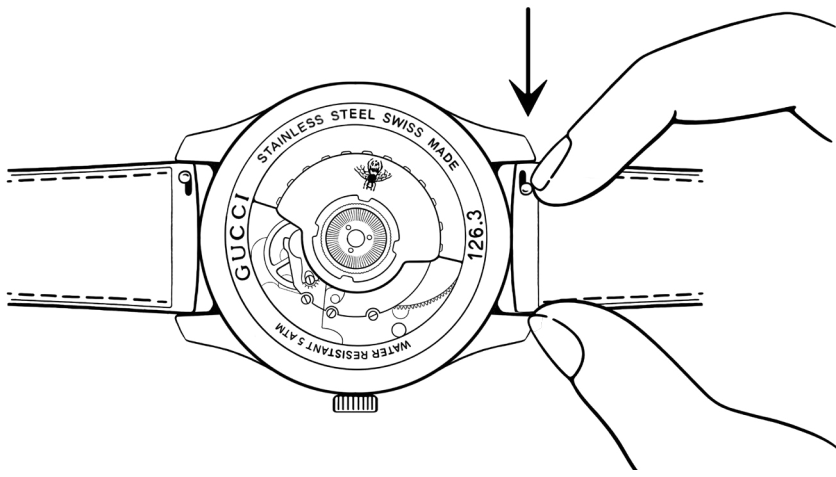


GUCCI

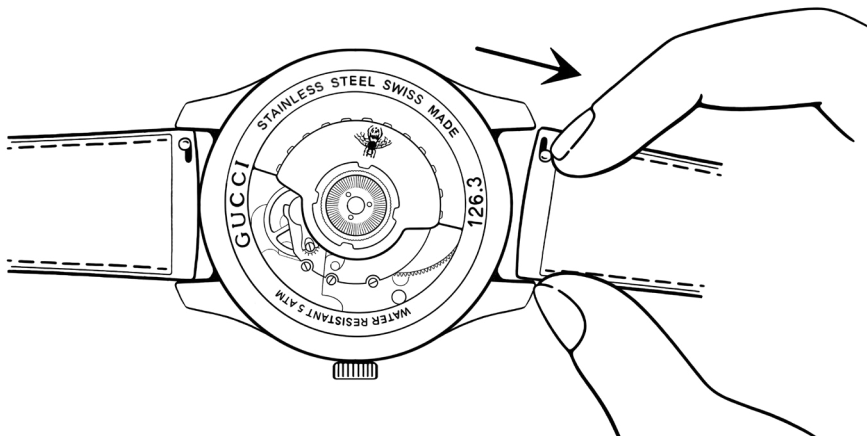
G-TIMELESS HOW TO
Replacing the Interchangeable Strap

REMOVE THE STRAP



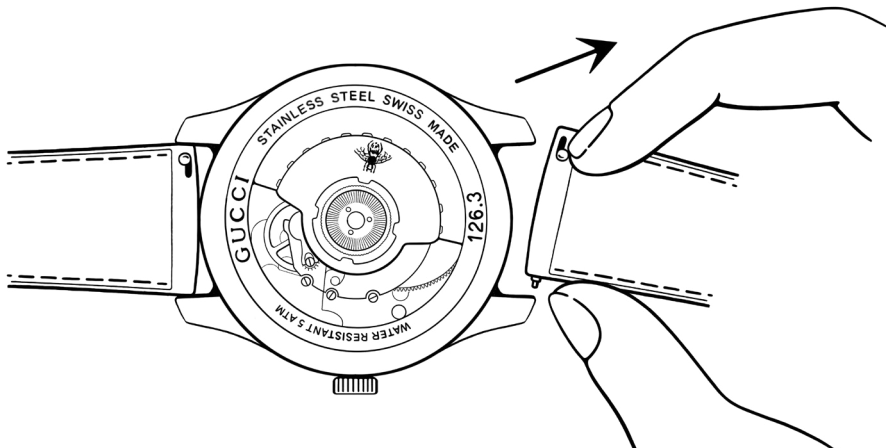
1. PULL DOWN THE SPRING BAR

On the back of your G-Timeless watch, you will find a quick-release spring bar on each side of the strap, pull down to release the strap from the watch case.



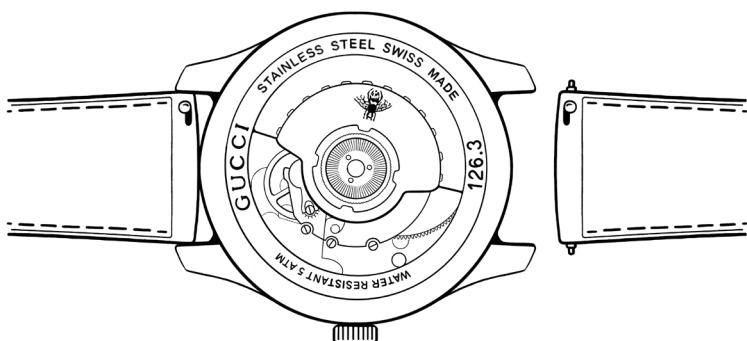
2. TILT THE STRAP

While keeping the spring bar down, gently tilt the strap away from the watch case.



3. LIFT THE STRAP UP AND DETACH IT

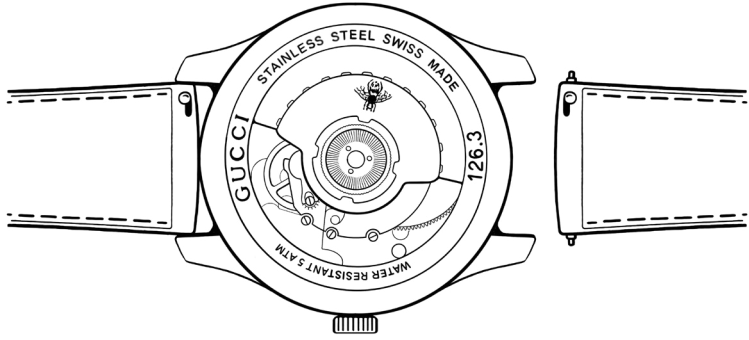
Keep the spring bar down and slightly lift the strap to fully detach it from the case.



4. RELEASE THE SPRING BAR AND REMOVE

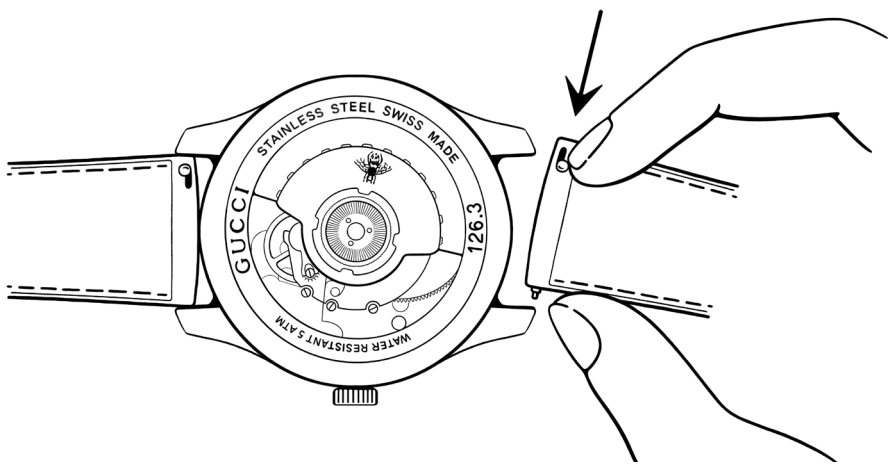
Finally, release the spring bar and remove the strap you wish to replace.

REPLACE THE NEW STRAP



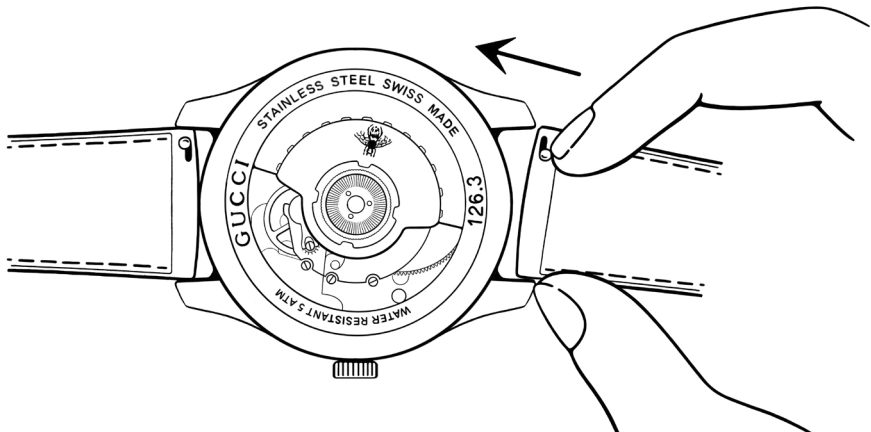
5. FIND THE SPRING BAR

Select your new G-Timeless strap and turn it to the back, where the quick-release spring bar is placed.



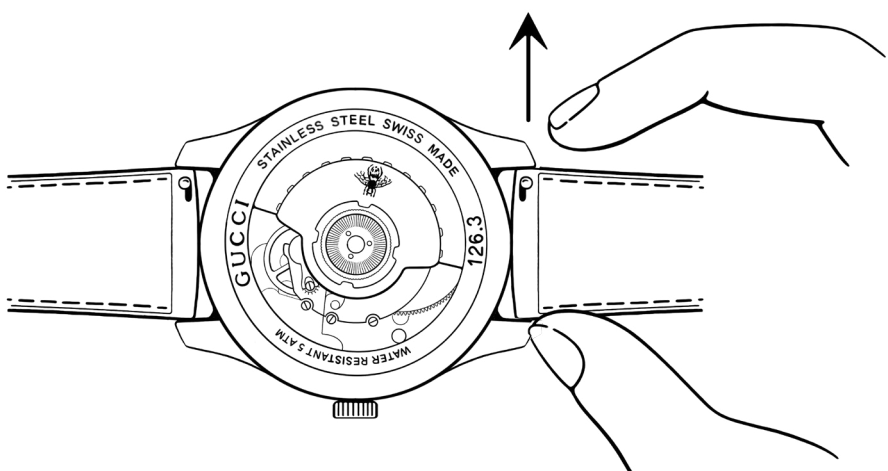
6. PULL DOWN THE SPRING BAR

Pull down the spring bar, slightly tilt the strap and move it towards the watch, clicking one side into the case.



7. PRESS THE STRAP DOWN AND ATTACH IT

Keeping the spring bar down, move the strap towards the case and attach the other end to the watch.



8. RELEASE THE SPRING BAR AND SECURE

Finally, release the spring bar, securing the new strap to your G-Timeless watch.